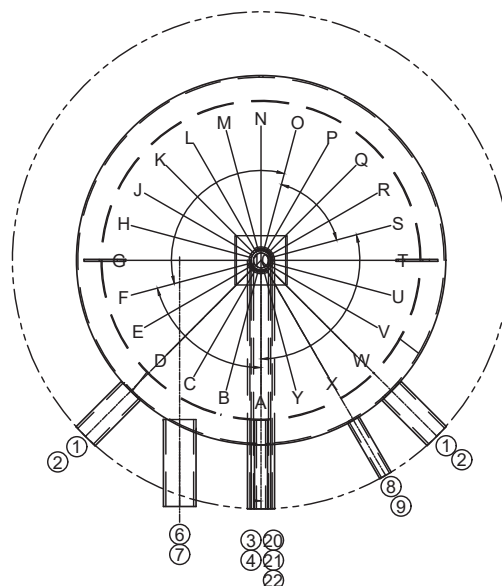


- 1.) Muffe VL-Be/Entladung mit hydr. Schichtweiche
- 2.) Muffe RL-Be/Entladung mit hydr. Schichtweiche
- 3.) Muffe VL-Be/Entladung
- 4.) Muffe RL-Be/Entladung mit Schichtprofil
- 6.) Muffe für Elektro-Einschraubheizkörper (WW)
- 7.) Muffe für Elektro-Einschraubheizkörper (Heizung)
- 8.) Muffe Fühler
- 9.) Muffe Thermometer
- 10.) Muffe Entlüftung
- 20.) Muffe WW-Anschluss
- 21.) Muffe Zirkulation
- 22.) Muffe KW-Anschluss



Es handelt sich um schematische Darstellungen - detaillierte Informationen entnehmen Sie bitte den folgenden Tabellen!

Isolation: 130 mm HeatBlocker-Isolation mit Polystyrol-Mantel silbergrau

| Type | WP 650 | WP 750 | WP 850 | WP 850 | WP 950 |
|---------------------------|-------------|-------------|------------------|------------------|-------------|
| Inhalt | 658,2l | 754,7l | 843,0l | 835,0 l | 931,8l |
| Ø ohne Isolation | 700 | 750 | 750 | 790 | 790 |
| Ø inkl. Isolation | 960 | 1010 | 1010 | 1050 | 1050 |
| Höhe ohne Isolation | 1860 | 1875 | 2075 | 1890 | 2080 |
| Höhe inkl. Isolation | 1990 | 2005 | 2205 | 1990 | 2210 |
| Kippmass | 1940 | 1960 | 2150 | 1916 | 2170 |
| Boiler Inhalt | 180 Liter | 220 Liter | 260 Liter | 270 Liter | 320 Liter |
| EU-WHV ⁽¹⁾ PFS | 99,9 W/h | 105,7 W/h | 110,9 W/h | 121,0 W/h | 115,8 W/h |
| CH-WV ⁽²⁾ PFS | 2,4 kWh/24h | 2,5 kWh/24h | 2,7 kWh/24h | 2,9 kWh/24h | 2,8 kWh/24h |
| Gewicht | 163 kg | 206 kg | 244 kg | 248 | 265 kg |

⁽¹⁾⁽²⁾ Warmhalteverlust in W/h (EU) bzw. Wärmeverlust in kWh/24h (CH)

Anschlussdetails (Höhe in mm ab Unterkante Stehring bzw. Stellfüße / Durchmesser Anschlüsse in Zoll)

| Type | WP 650 | | WP 750 | | WP 850 (260 l) | | WP 850 (270 l) | | WP 950 | |
|------|--------|-----|--------|-----|----------------|-----|----------------|--------|--------|-----|
| A | 180 | 1¼" | 180 | 1½" | 180 | 1½" | 300 | 1½" | 180 | 1½" |
| B | 285 | 2" | 285 | 2" | 285 | 2" | 400 | 1½" | 285 | 2" |
| C | 285 | ½" | 285 | ½" | 285 | ½" | 400 | ½" | 285 | ½" |
| D | 600 | ½" | 600 | ½" | 590 | ½" | 550 | ½" | 650 | ½" |
| E | 670 | 1½" | 670 | 1½" | 750 | 1½" | 650 | 1½" | 670 | 1½" |
| F | 780 | ½" | 780 | ½" | 800 | ½" | 700 | ½" | 790 | ½" |
| G | 860 | 1¼" | 860 | 1½" | 880 | 1½" | 800 | 1½" | 870 | 1½" |
| H | 1040 | 2" | 1040 | 2" | 1060 | 2" | 950 | 1½" | 1050 | 2" |
| I | 1040 | 1¼" | 1040 | 1½" | 1060 | 1½" | 950 | 1½" | 1050 | 1½" |
| J | 1200 | ½" | 1200 | ½" | 1200 | ½" | 1100 | ½" | 1200 | ½" |
| K | 1290 | ½" | 1390 | ½" | 1445 | ½" | 1300 | ½" | 1335 | ½" |
| L | 1450 | ½" | 1450 | ½" | 1600 | ½" | 1400 | ½" | 1550 | ½" |
| M | 1515 | 1" | 1535 | 1" | 1735 | 1" | 1500 | 1" | 1735 | 1" |
| N | 1640 | ½" | 1640 | ½" | 1840 | ½" | 1600 | ½" | 1860 | ½" |
| O | 1700 | 1¼" | 1700 | 1½" | 1900 | 1½" | 1650 | 1½" | 1920 | 1½" |
| P | 1860 | 1¼" | 1875 | 1¼" | 2075 | 1¼" | 1890 | 1", 1" | 2080 | 1¼" |

Leistungsdaten

| Type | Boiler Inhalt | C° | 45 °C | | | 60 °C | | |
|--------|---------------|----|---------------|-----|----|---------------|-----|----|
| | | | 10 min Spitze | l/h | kW | 10 min Spitze | l/h | kW |
| WP 650 | 180 | 50 | 206 | 220 | 13 | - | - | - |
| | | 55 | 233 | 260 | 15 | - | - | - |
| | | 60 | 259 | 310 | 17 | 205 | 251 | 20 |
| | | 70 | 312 | 415 | 24 | 280 | 291 | 24 |
| | | 80 | 365 | 515 | 30 | 360 | 438 | 32 |
| WP 750 | 220 | 50 | 252 | 275 | 12 | - | - | - |
| | | 55 | 285 | 308 | 15 | - | - | - |
| | | 60 | 317 | 370 | 17 | 220 | 290 | 20 |
| | | 70 | 382 | 510 | 23 | 360 | 434 | 24 |
| | | 80 | 446 | 660 | 31 | 310 | 470 | 31 |
| WP 850 | 260 | 50 | 298 | 350 | 15 | - | - | - |
| | | 55 | 336 | 395 | 16 | - | - | - |
| | | 60 | 375 | 440 | 18 | 260 | 350 | 21 |
| | | 70 | 451 | 600 | 25 | 313 | 410 | 24 |
| | | 80 | 528 | 780 | 33 | 366 | 620 | 33 |
| WP 950 | 320 | 50 | 345 | 355 | 16 | - | - | - |
| | | 55 | 414 | 440 | 18 | - | - | - |
| | | 60 | 461 | 480 | 23 | 320 | 384 | 26 |
| | | 70 | 555 | 650 | 31 | 385 | 457 | 30 |
| | | 80 | 649 | 872 | 40 | 451 | 620 | 40 |